

hexergo® 慧想



K Series

MOVE TO CREATE

创 随 心 动

| K 系列

产品简介 Product Introduction

得益于铝合金压铸工艺和工业设计,让支架在不牺牲稳定性的前提下多了几分曲线之美。气弹簧升降结构,可以带来最高10kg的承重上限。包含桌面锁定,夹具,穿孔在内多种底座安装结构,适应不同的使用环境。

Thanks to the aluminum alloy die casting process and industrial design, the bracket has a little more curved beauty without sacrificing stability. The gas spring lifting structure can bring a maximum load bearing limit of 10kg. Including fixture, perforation, quick mounting, including a variety of base installation structure, to adapt to different use environment.



产品特点 Product Features

VESA快装结构 Quick Release Vesa

一滑一扣，轻松拆装显示器。

With just one single slide and click, you can easily install and uninstall the monitor.





产品特点 Product Features

球头结构 Ball-Head Structure

万向球头连接设计，使显示器可以任意摆动和调整角度

The universal ball head connection design allows the display to swing and adjust the Angle arbitrarily.

产品特点 Product Features

分段式线材管理 Segmented Cable Management

分段式管理，可有效的将线材隐藏于无形。无论显示器如何移动，始终保持线材井然有序。

Segmented cable management effectively conceals cables out of sight. No matter how the monitor is moved, the cables always remain neatly organized.



规格信息 Specification Information

产品参数 Specifications

 显示器尺寸 LCD size	16:9 ≤34"	 俯仰角度 Tilt	±25°
 承重范围 Wt.Capacity	2-10kg	 升降 Lifting height	240mm
 旋转角度 Pivot	360°	 VESA	75×75 100×100
 左右摆动 Swivel	±180°	 穿夹桌面厚度 Desk Thickness	穿孔：10-80mm 夹具：10-80mm

安装方式 Installation method



夹持
Desk Clamp



穿孔
Grommet Mount

产品配色 Colors



○ 辉月银
Silver



○ 星云白
White



● 耀石黑
Black



● 彗星银
Black&Silver



● 超星红
Red

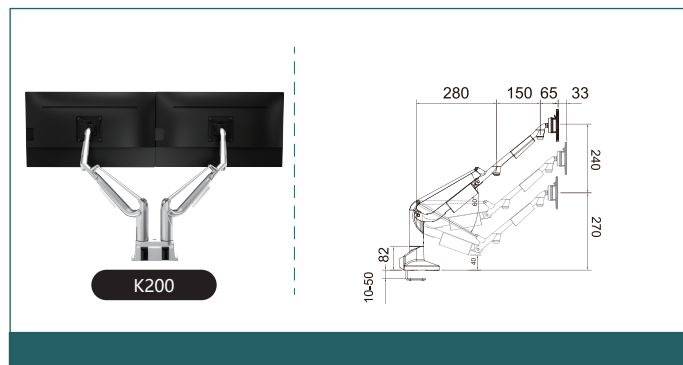
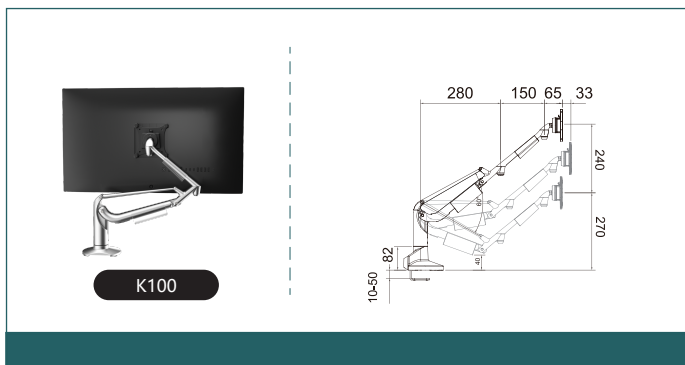


● 星尘粉
Pink

产品线延伸 Product Line Extension

产品展示

Product Display









400-600-5155
上海新慧想科技有限公司

SHANGHAI NEW THINKWISE TECHNOLOGY CO., LTD