

hexergo® 慧想



www Series

MOVE TO CREATE

创 随 心 动

| W 系列

产品简介 Product Introduction

一体压铸的铝合金结构,搭配专利DSA技术,让显示器可以实现多角度的丝滑调节。简洁的全包裹几何造型支臂,搭配系列独有的木纹、棋盘纹皮革、头层牛皮等多种材料侧板设计,让支架在强大性能之余,为空间带去更多个性化触感。

The die-cast aluminum alloy structure,combined with patented DSA technology,allows the monitor to achieve multi-angle silky adjustment.The simple fully wrapped geometric arm,with the series of unique wood grain,checkerboard leather,the first layer of cowhide and other materials side panel design,so that the support in the powerful performance,bring more personalized touch to the space.



产品特点 Product Features

可视化调节窗口 Visual Adjustment Window

告别传统盲式调节，便于实时观测力值，畅享舒适调校体验。

Farewell to the traditional blind adjustment, easy to observe the force value in real time, enjoy a comfortable adjustment experience.

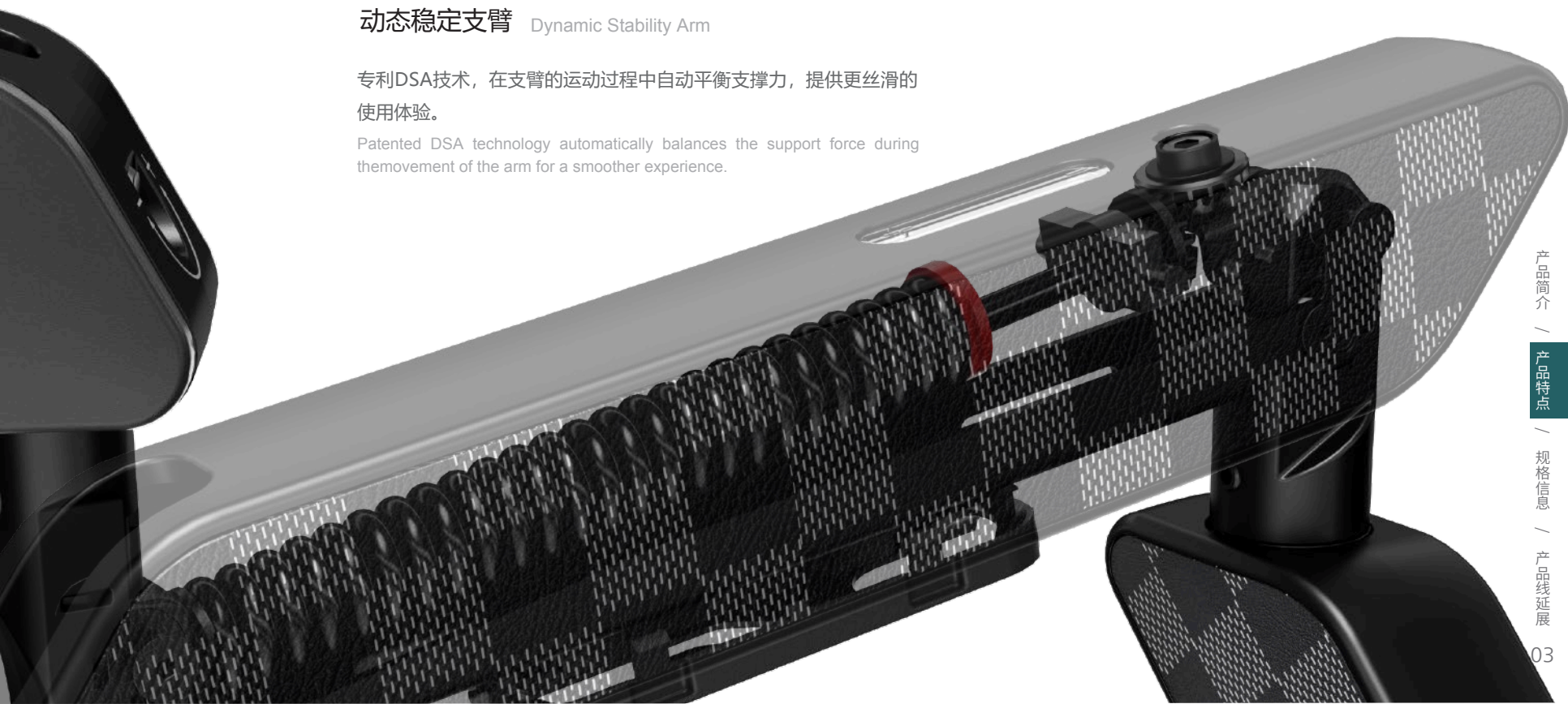


产品特点 Product Features

动态稳定支臂 Dynamic Stability Arm

专利DSA技术，在支臂的运动过程中自动平衡支撑力，提供更丝滑的使用体验。

Patented DSA technology automatically balances the support force during the movement of the arm for a smoother experience.



产品特点 Product Features

多材料侧板 Multi-Material Side Panels

拥有多种表面处理工艺，支臂侧盖板多材质、多色彩，可随心选择。

Equipped with various surface treatment processes, the arm side cover has multiple materials and colors to choose.

产品特点 Product Features

分段式线材管理 Segmented Cable Management

分段式管理，可有效的将线材隐藏于无形。无论显示器如何移动，始终保持线材井然有序。

Segmented cable management effectively conceals cables out of sight. No matter how the monitor is moved, the cables always remain neatly organized.

规格信息 Specification Information

产品参数 Specifications

 显示器尺寸 LCD size	≤ 34"	 俯仰角度 Tilt	+90~-15°
 承重范围 Wt.Capacity	2-9kg	 升降 Lifting height	265mm
 旋转角度 Pivot	±180°	 VESA	75×75 100×100
 左右摆动 Swivel	±90°	 穿夹桌面厚度 Desk Thickness	穿孔：10-80mm 夹具：10-80mm

安装方式 Installation Method



桌面锁定
Upper Locking



夹持
Desk Clamp



穿孔
Grommet Mount

产品配色 Colors



● 常规黑色
Black



● 木纹款
Wood Grain



● 橙色真皮款
Orange Leather



● 黑色棋盘皮革款
Black Checkerboard Leather



● 洋红色棋盘格皮革款
Magenta Chequered Leather

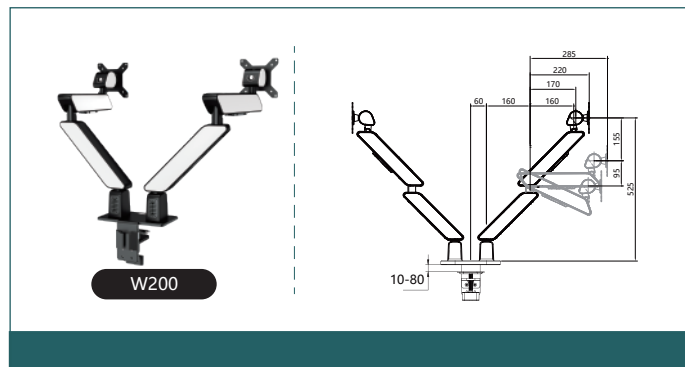
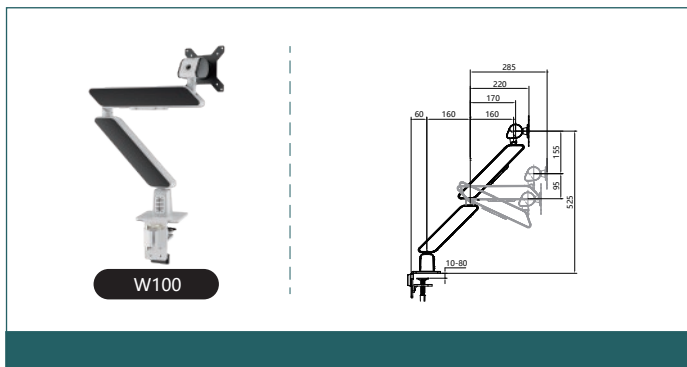


● 橙色棋盘格皮革款
Orange chequered leather

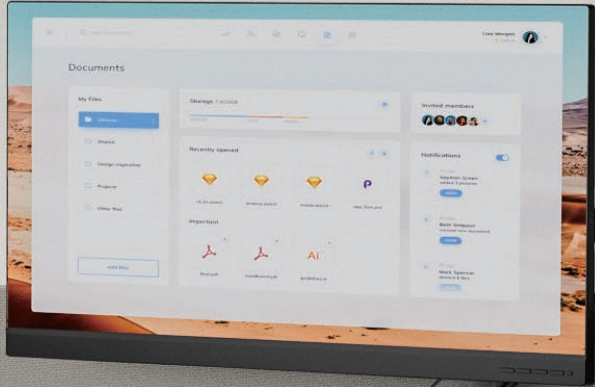
产品线延伸 Product Line Extension

产品展示

Product Display









400-600-5155
上海新慧想科技有限公司

SHANGHAI NEW THINKWISE TECHNOLOGY CO., LTD