

hexergo® 慧想



# AM3 医疗支架



MOVE TO CREATE

创 随 心 动

## 产品特点 Product Features



### 专用铰链设计 Specialized Hinge Design

双动臂协同运动，保持全角度丝滑体验，并拥有更长的使用寿命。不使用时可垂直折叠，以节省空间。

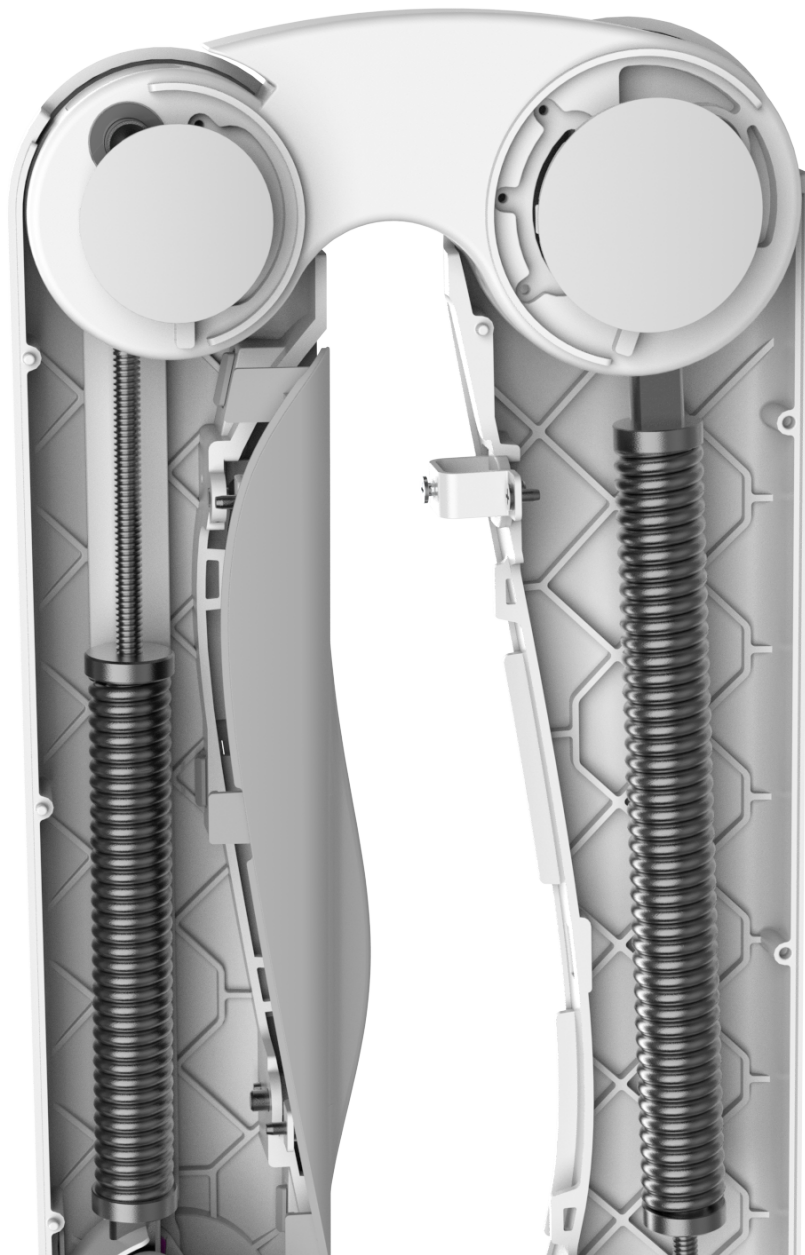
The dual-arm coordinated movement ensures a smooth full-angle experience and extended service life. When not in use, it can be folded vertically for space-saving storage.

## 产品特点 Product Features

### 医疗级双机械弹簧 Medical-Grade Dual Mechanical Spring

特研医疗级机械弹簧，带来更精准的角度指向，更稳定的悬停表现。

Specially developed medical-grade mechanical springs deliver more precise angle positioning and enhanced stability for smooth hovering performance.



## 产品特点 Product Features



### 双层线材管理结构 Double Layered Cable Management Structure

内层金属卡扣+外层ABS卡扣，应对不同直径的过线需求，更少的线材外露，保持外观整洁的同时，方便表面消毒。

Inner metal buckle+outer ABS buckle, to meet the requirements of different diameters of cable passing, with less exposed cable, maintaining a clean appearance while facilitating surface disinfection.

## 产品特点 Product Features









### 客制化安装结构 Customized Installation Structure

头部与底座均可支持客制化定制结构，搭配不同的产品使用，也可应对多种安装环境。

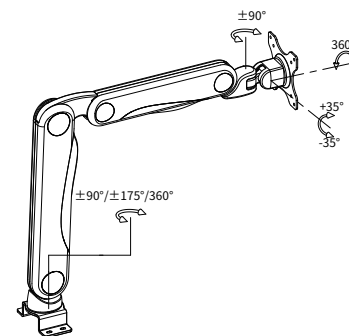
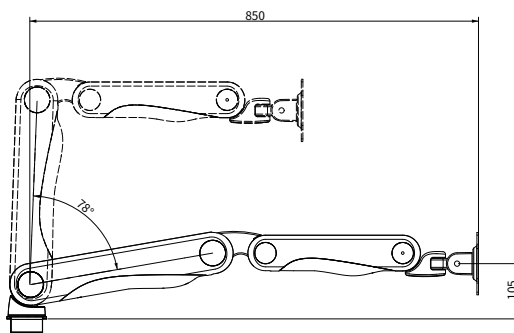
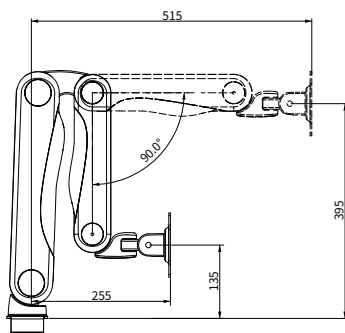
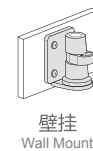
Both the head and base can support customized structures, which can be used with different products and can also adapt to various installation environments.

# 规格信息 Specification Information

## 产品参数 Specifications

 承重范围 Wt.Capacity	2-9kg	 俯仰角度 Tilt	$\pm 35^\circ$
 旋转角度 Pivot	$360^\circ$	 升降范围 Lifting Height	260mm
 左右摆动 Swivel	$\pm 90^\circ$	 拉伸范围 Extension Range	595mm

## 标准安装方式 Standard Installation Method





监测仪器 Monitoring Instruments



医疗推车 Medical Cart



400-600-5155  
上海新慧想科技有限公司

SHANGHAI NEW THINKWISE TECHNOLOGY CO., LTD