

hexergo® 慧想



CS Series



MOVE TO CREATE

创 随 心 动

# | CS 系列

## 产品简介 Product Introduction

主体结构件均采用铝合金一体压铸成型，搭配双扭簧结构的头部设计，可以轻松应对至高 20kg\* 的显示器。搭配专用的转接件，可以实现 49 寸超深曲面屏的自由升降悬停。多层车规级烤漆工艺，为产品表面带去不一样的质感，同时提高表面耐用性。

The whole body structure is made of aluminum alloy die-casting, and the head design with double torsion spring structure can easily cope with the monitor up to 20kg. With the special adapter, it can realize the free lifting and hovering of the 49-inch ultra-deep curved screen. The multi-layer paint process brings a different texture to the surface of the product, while improving the surface durability.



## 产品特点 Product Features



### 气弹簧升降结构 Gas Spring Lifting Structure

气弹簧升降结构，平稳顺畅，一指调节。

Gas spring lifting structure, steady and smooth, one finger adjustment.

## 产品特点 Product Features

### 专利双扭簧结构 Patented Double Torsion Spring Structure

屏幕调节更丝滑，持久稳固不沉头。

The screen adjustment is silky, durable and stable without sinking head.



## 产品特点 Product Features



### 超深曲面屏适配 Ultra Deep Curved Screen Adaptation

多种使用需求都有专业定制款，包括但不限于三星G9显示屏等。

There are professional customized models for various use needs, including but not limited to Samsung G9 display.

## 产品特点 Product Features











### 分段式线材管理 Segmented Cable Management

分段式管理，可有效的将线材隐藏于无形。无论显示器如何移动，始终保持线材井然有序。

Segmented cable management effectively conceals cables out of sight. No matter how the monitor is moved, the cables always remain neatly organized.

# 规格信息 Specification Information

## 产品参数 Specifications

|   |            |  |            |
|---|------------|--|------------|
|  显示器尺寸<br>LCD size   | 16:9 ≤ 34" |  俯仰角度<br>Tilt             | +75~-30°   |
|   | 32:9 ≤ 49" |  |            |
|  承重范围<br>Wt.Capacity | 2-10kg     |  升降<br>Lifting height     | 340mm      |
|   | 8-20kg     |  |            |
|  旋转角度<br>Pivot       | ±90°       |  VESA                     | 75×75      |
|   |            |  | 100×100    |
|  左右摆动<br>Swivel      | ±90°       |  穿夹桌面厚度<br>Desk Thickness | 穿孔：10-50mm |
|   |            |  | 夹具：10-50mm |

## 安装方式 Installation Method



桌面锁定  
Upper Locking



夹持  
Desk Clamp



穿孔  
Grommet Mount



壁挂  
Wall Mount



屏风  
Statwall Mount

## 产品配色 Colors



○ 星云白  
White



● 曜石黑  
Black

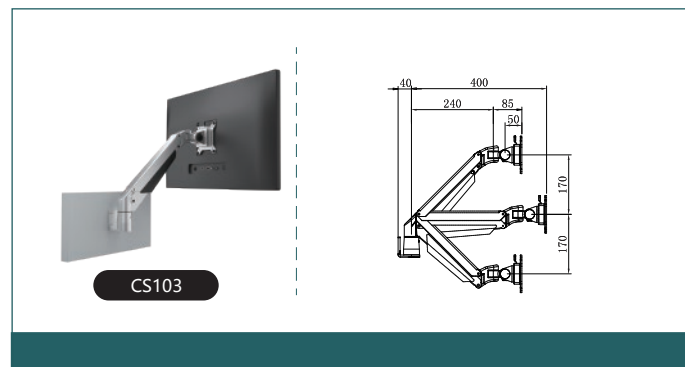
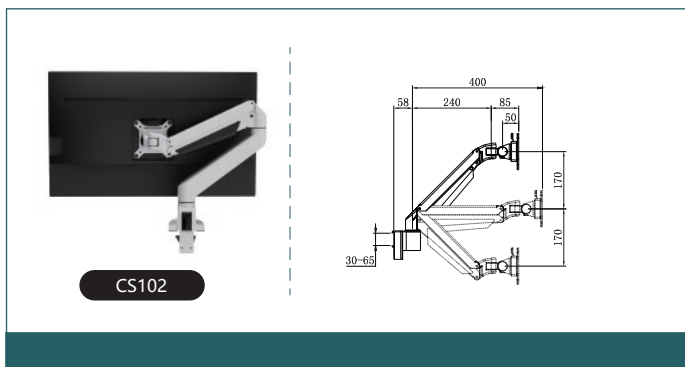
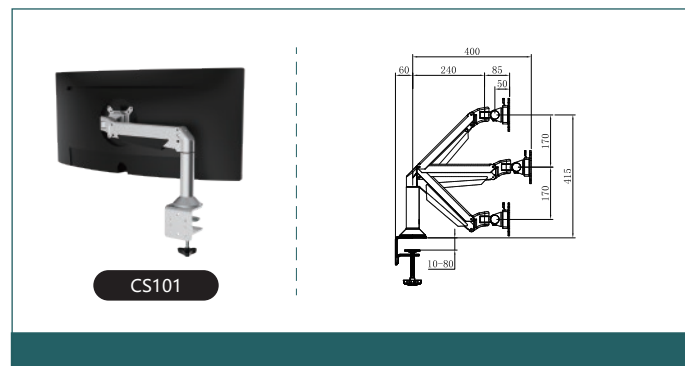
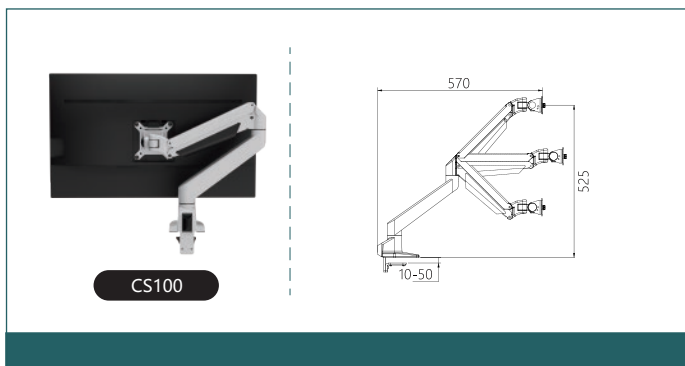


● 彗星银  
Silver

# 产品线延伸 Product Line Extension

单屏系列

Single series



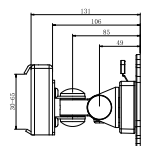
# 产品线延伸 Product Line Extension

单屏系列

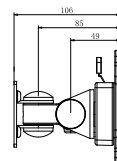
Single series



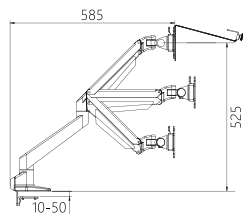
CS104



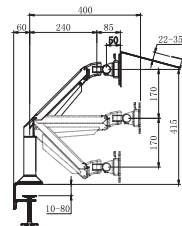
CS105



CS106



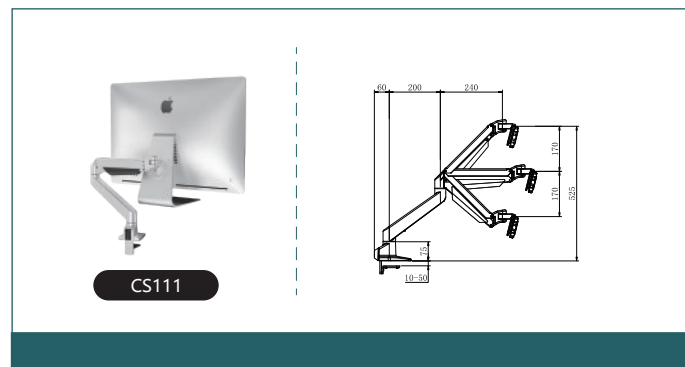
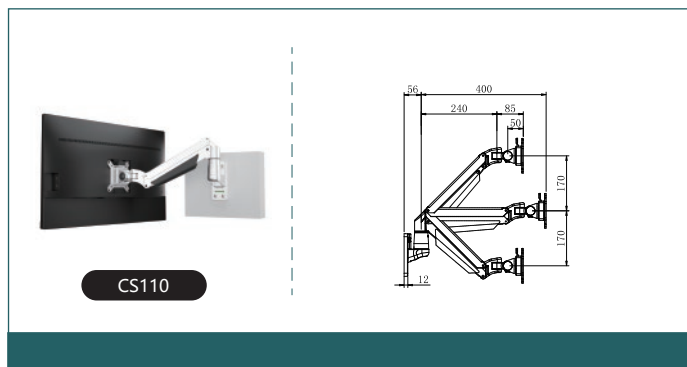
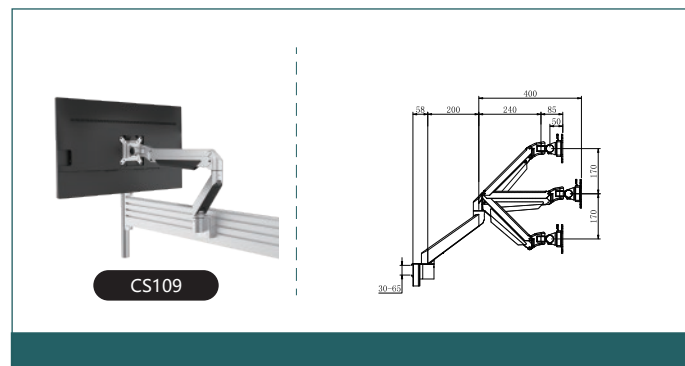
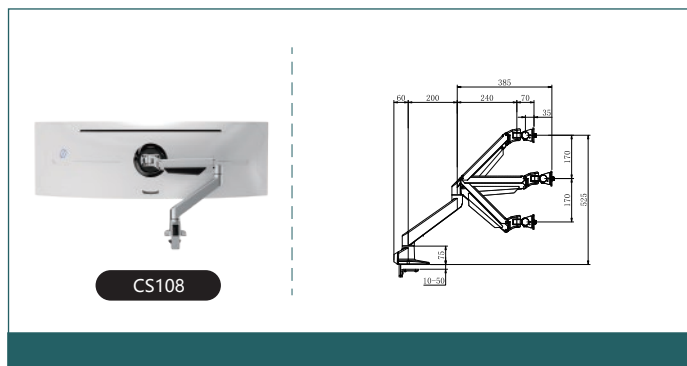
CS107



# 产品线延伸 Product Line Extension

单屏系列

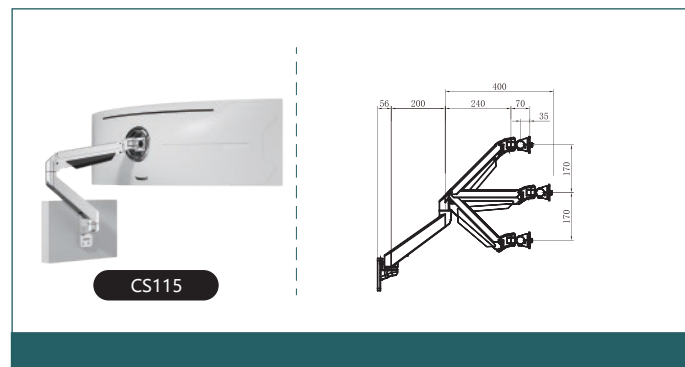
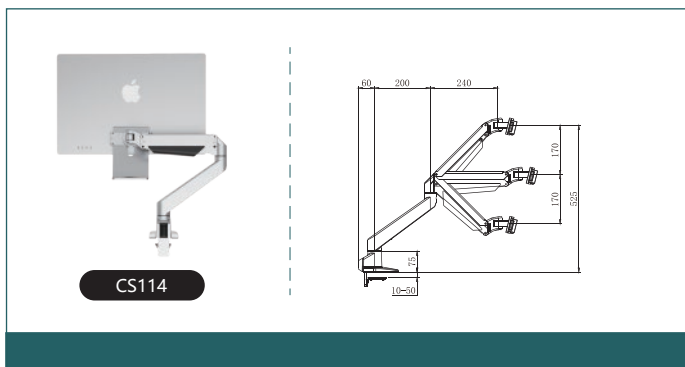
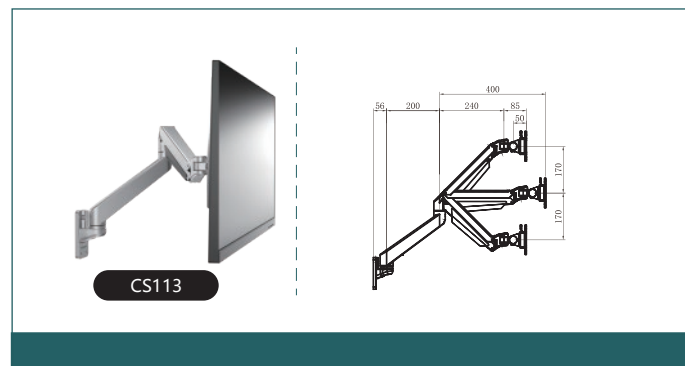
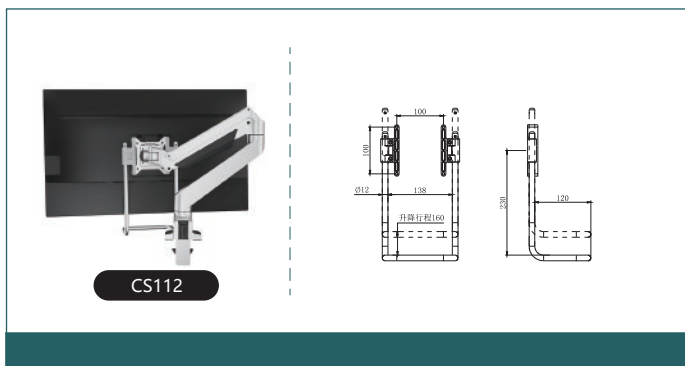
Single series



# 产品线延伸 Product Line Extension

## 单屏系列

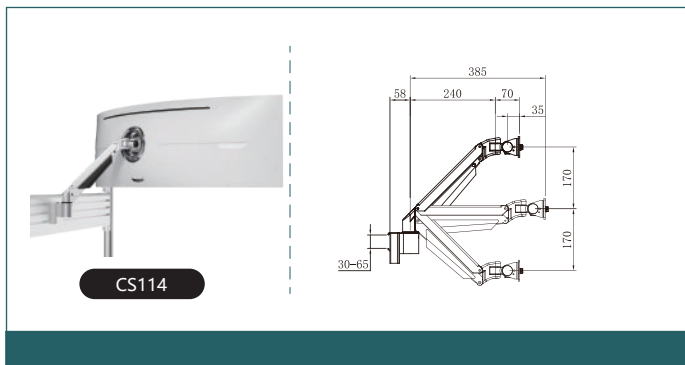
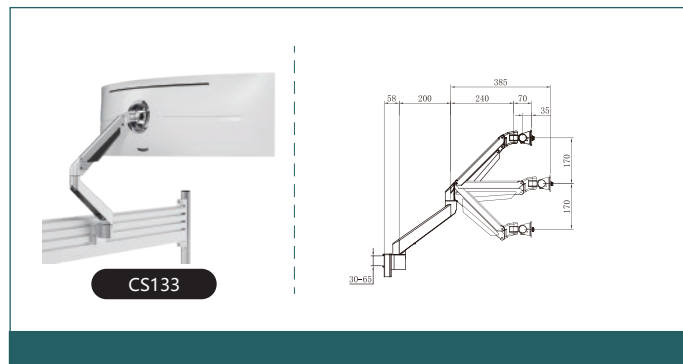
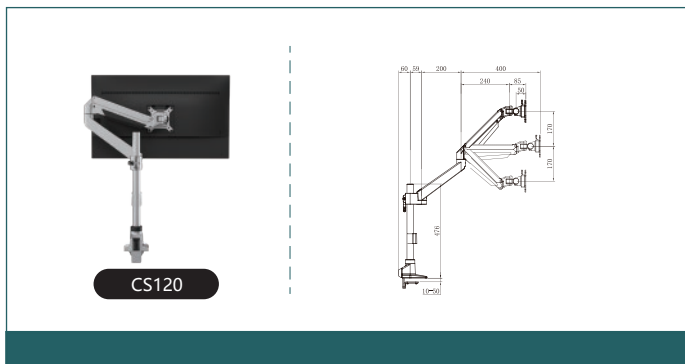
Single series



# 产品线延伸 Product Line Extension

单屏系列

Single series



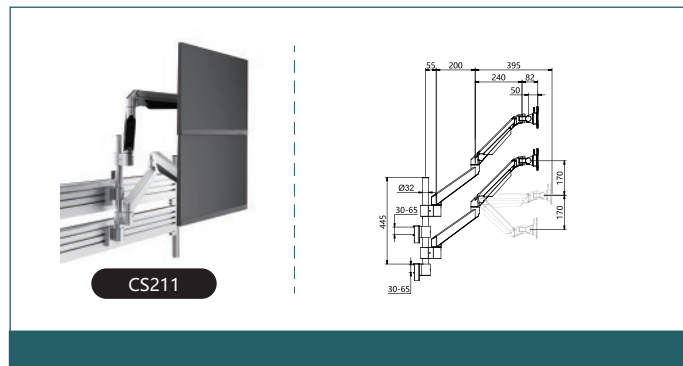
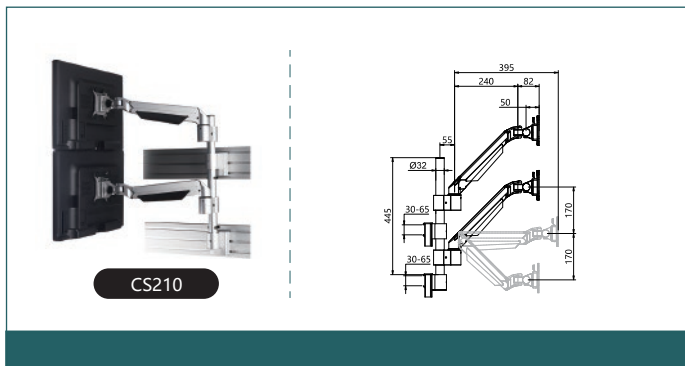




# 产品线延伸 Product Line Extension

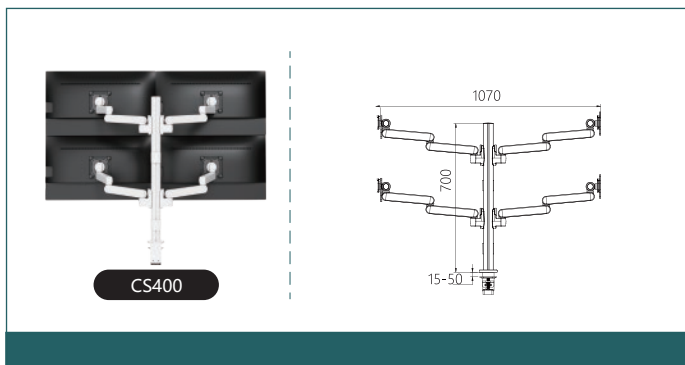
## 双屏系列

Dual series



## 四屏系列

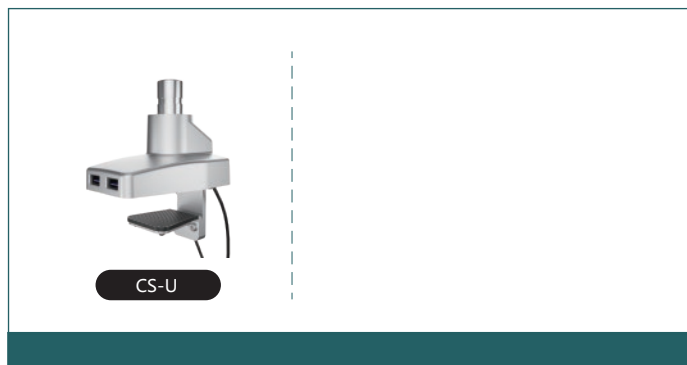
Quadruple series



## 产品线延伸 Product Line Extension

USB底座

USB dock









400-600-5155  
上海新慧想科技有限公司

SHANGHAI NEW THINKWISE TECHNOLOGY CO., LTD