

hexergo® 慧想



400-600-5155
上海新慧想科技有限公司
SHANGHAI NEW THINKWISE TECHNOLOGY CO., LTD



AM5 医疗支架

MOVE TO CREATE

创 随 心 动

| AM5 系列

产品简介 Product Introduction

AM5 病房支架为患者和医护人员提供便捷的医用环境显示设备支持。支持多方位调节和旋转，最大伸长距离可达 1.27m，不使用时可折叠收起，节省空间。其管内走线设计有效避免杂乱，方便医疗清洁。设定挂壁、托盘底座、吊顶、适配医疗设备四种安装方式。

The AM5 ward bracket provides convenient support for medical display equipment for both patients and medical staff. It supports multi-directional adjustment and rotation, with a maximum extension length of up to 1.27 meters. When not in use, it can be folded away to save space. The internal wiring design helps reduce clutter and facilitates medical-grade cleaning. Four installation options are available: wall mount, tray base, suspended ceiling, and compatibility with other medical equipment.



产品特点 Product Features

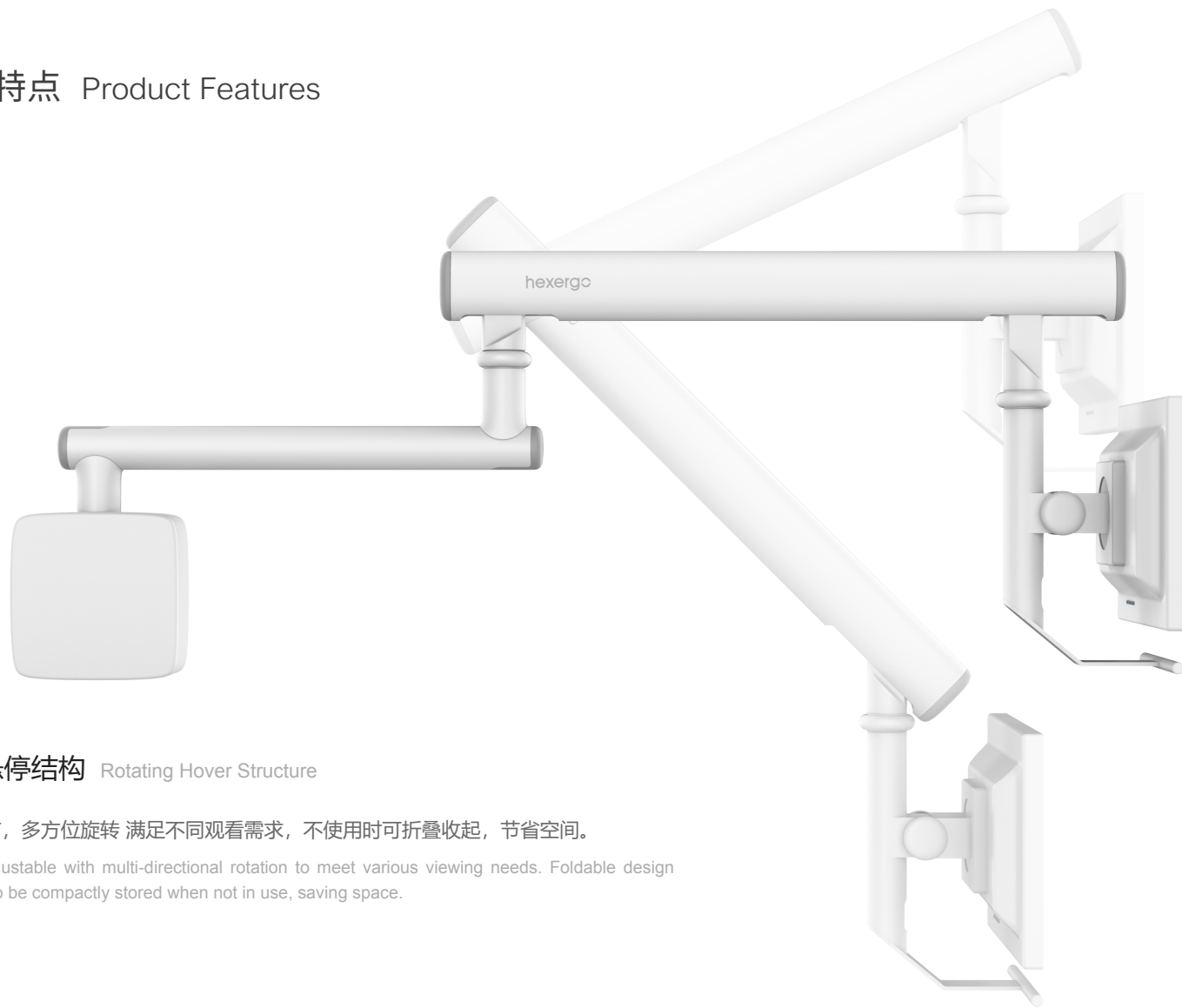
hexergo

医料器械标准选材 Selection of Medical-Grade Materials and Equipment Standards

优质选材，铝合金+表面液体烤漆工艺，方便表面医疗清洁。

High-quality materials, featuring an aluminum alloy body with a liquid baking finish, ensure durability and ease of surface cleaning for medical use.

产品特点 Product Features



旋转悬停结构 Rotating Hover Structure

自由调节，多方位旋转 满足不同观看需求，不使用时可折叠收起，节省空间。

Freely adjustable with multi-directional rotation to meet various viewing needs. Foldable design allows it to be compactly stored when not in use, saving space.

产品特点 Product Features

医疗级机械弹簧 Medical Grade Mechanical Spring

特研医疗级机械弹簧，带来更精准的角度指向，更稳定的悬停表现。

Specially developed medical-grade mechanical springs offer more precise angle positioning and enhanced stability during hovering.

产品特点 Product Features



全内走线 Full Internal Wiring

减少线材外露，保持外观整洁的同时，可通过医院等级氯漂白剂基础的解决方案进行外部清洁。

Full internal wiring reduces wire exposure and maintains a clean appearance. The surface can be cleaned using hospital-grade chlorine-based disinfectants.

产品特点 Product Features

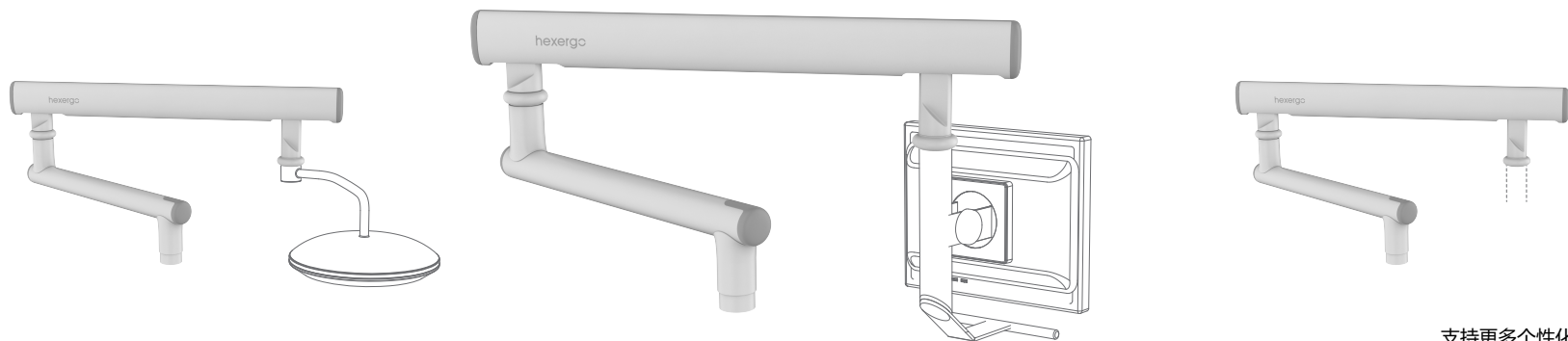


拉杆把手 Pull Rod Handle

带来更便捷的移动体验，拖动显示器位置时，避免接触屏幕带来的污染。

The pull-rod handle provides a more convenient mobile experience and helps prevent contamination from touching the screen while adjusting the monitor's position.

产品特点 Product Features



支持更多个性化定制.....






定制化安装结构 Customized Installation Structure

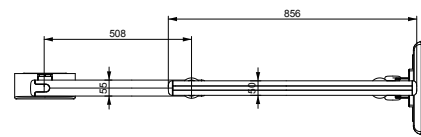
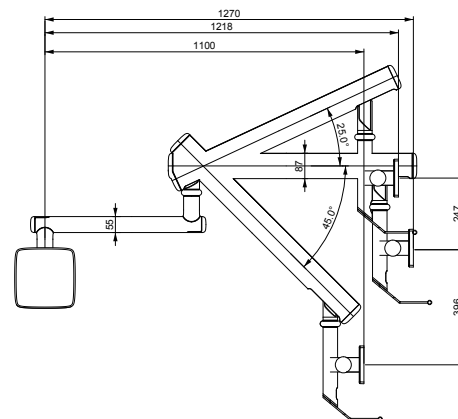
头部、底座与定臂长度均可支持定制化定制结构，搭配不同的产品使用，也可应对多种安装环境。

The head, base, and fixed arm length can be customized to accommodate various products and adapt to different installation environments.

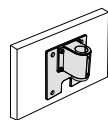
规格信息 Specification Information

产品参数 Specifications

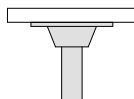
 承重范围 Wt.Capacity	2-7.5kg	 俯仰角度 Tilt	+30°~-30°
 旋转角度 Pivot	360°	 升降 Lifting Height	640mm
 动臂摆幅 Arm Swing Range	+25°~-45°	 拉伸范围 Extension Range	1270mm



安装方式 Installation Method



壁挂
Wall Mount



吊顶
Ceiling Mount



落地
Floor Mount









hexergo



400-600-5155

上海新慧想科技有限公司

SHANGHAI NEW THINKWISE TECHNOLOGY CO., LTD